

L800WUSB-RDK (PCI)



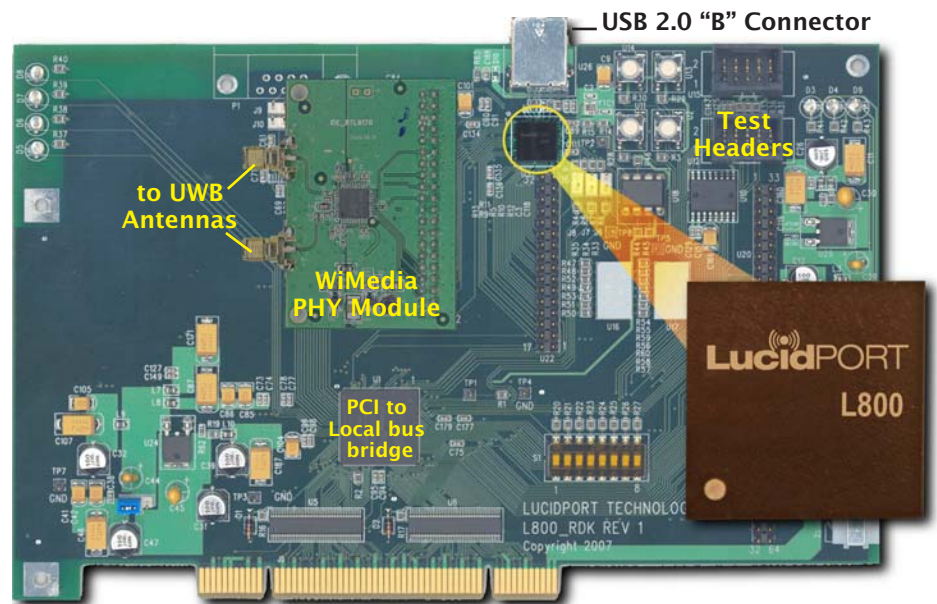
Reference Design Kit based on Certified Wireless USB

Hardware and Software Tools for Wireless USB (UWB) Peripheral Development

Using LucidPort Technology's L800 Controller based on Certified Wireless USB from the USB-IF, the L800WUSB-RDK packages a set of hardware and software tools for USB peripheral development.

The RDK adheres to the USB 2.0, WiMedia, and Certified Wireless USB specifications - with transfer rates up to 480 Mbps.

The L800 RDK board supplies both wired and wireless USB connections

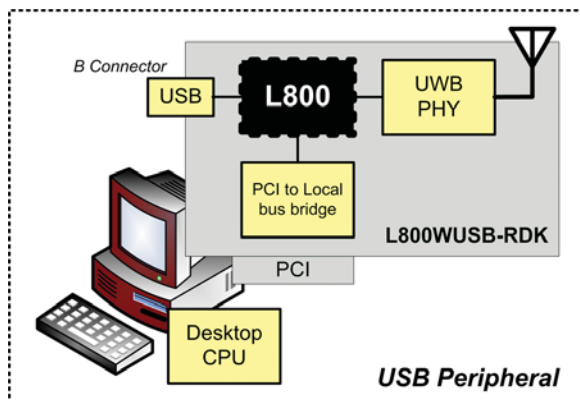


PC Based Development System

The L800 Reference Design Kit (RDK) comes with a PCI adapter board. This board converts a standard PC into a Wireless USB device.

The PC provides a flexible development environment with many software design tools.

This system allows for software development based on known good hardware operating in a standard environment.



The L800WUSB-RDK board converts a standard PC into a Wireless USB Peripheral Development Platform

Development Software

LucidPort provides device side firmware to enable the L800 to function as a standard USB class device (like a scanner or hard disk). An API abstracting USB operations is included for custom applications. Sample host side drivers and utilities are also provided.

L800WUSB-RDK Contents

HARDWARE

- PCI Adapter Board with L800 Wireless USB (UWB) Controller
- WiMedia UWB PHY Module
- UWB Antenna

SOFTWARE

- LucidPort USB APIs
- Loopback firmware with source code
- Mass storage class firmware with source code
- Host side monitor application
- Sample host side driver

DOCUMENTATION

- L800WUSB-RDK User's Guide
- Firmware Porting Guide
- Schematics and Layout Information
- Bill of Materials

